

FY-GL-UFO-175W



UFO LED Grow Light



FEATURES

- High efficacy up to 2.3 $\mu\text{mol}/\text{J}$.
- IP65 Waterproof.
- Top-Bin Mid Power Wideband LEDs.
- Fanless design, no noise.
- 100-277 V wide input voltage .
- Sleek and low-profile design for a wide range of horticulture applications
- 5 years warranty is optional.
- Superior heat dissipation from multiple heat sinks.

CERTIFICATES

DLC / UL / CUL / CE / RoHS

WARRANTY

Default is 3 years. 5 years warranty is optional

APPLICATIONS

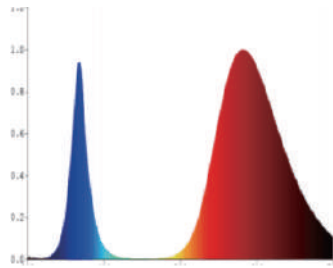
- Home hobbyist
- Agricultural universities
- Educational programs in local school districts
- Plant physiological research
- Biotechnology
- Pharmacology
- Greenhouses
- Plant factories

SPECIFICATION

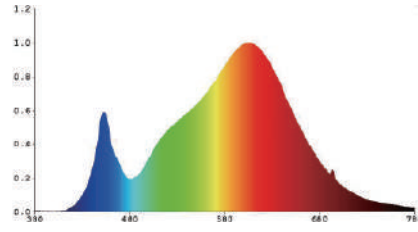
Model	FY-GL-UFO- 175W
Spectrum	Full Spectrum
Input Voltage	AC 100-277 V, 50 / 60 HZ
Power Factor	>0.95
Dimming	0-10 V
Dimension	11.8" x 5.1" Φ 300 * H 130mm
LED Quantity	1 * 175 pcs
Rated Power	175 W
Draw Power	150 W
PPF	345 $\mu\text{mol}/\text{s}$

Efficacy	2.3 $\mu\text{mol}/\text{J}$
IP Rating	IP65
Beam Angle	60° / 90° / 120°
Operating Temperature	-4 - 104 °F / (-20 - 40 °C)
Lifetime	Q (L)90: 68, 300 hours
Certificates	DLC, cULus, CE, RoHS, Damp Location Rated
Warranty	5 years
Master carton (1PC / CTN)	350 * 350 * 200 mm
Gross Weight	5.8KG/PC
Volume weight	4.9KG/PC

SPECTRUM

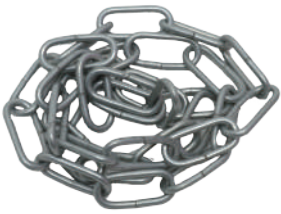


A1



A2

ACCESSORIES



1M IRON CHAIN



HOOK

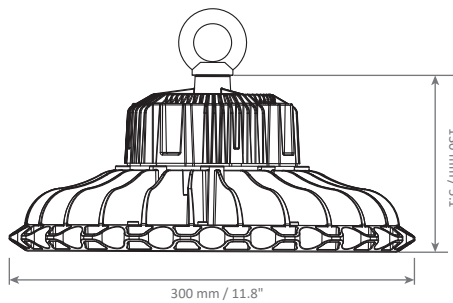


OPTIONAL ALUMINUM
REFLECTORS



OPTIONAL POLYCARBONATE
DIFFUSERS

DIMENSIONS



PACKING INFORMATION

G.W.of inner carton	Size of inner box	Size of master carton	Quantity of master carton	G.W.of master carton	Storage temperature
BLANK	BLANK	350 * 350 * 200 mm	1 pc	5.8 KG	-40°C~80°C