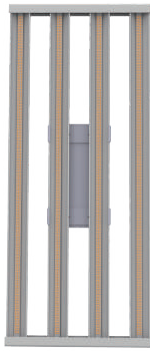


FY-GL-HB III-960W



HBIII LED Grow Light

Rev. 3.0



FEATURES

- Fanless design, no noise.
- IP54 design.
- Samsung high efficacy LED.
- 100-277 V wide input voltage.
- High efficacy up to 2.357 $\mu\text{mol}/\text{J}$.

CERTIFICATES

EMC / LVD / RoHS

WARRANTY

Default is 3 years. 5 years warranty is optional

APPLICATIONS

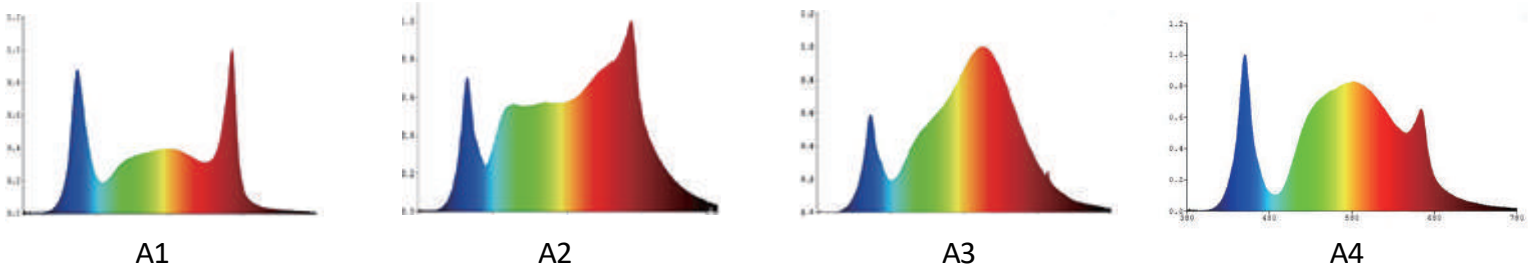
- Home hobbyist
- Agricultural universities
- Educational programs in local school districts
- Plant physiological research
- Biotechnology
- Pharmacology
- Greenhouses
- Plant factories

SPECIFICATION

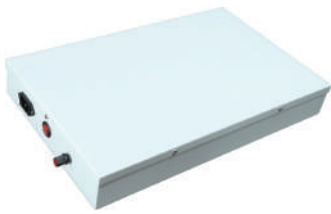
Model	FY-GL-HB III-960W
Spectrum	Full Spectrum
Input Voltage	AC 100-277 V, 50 / 60 HZ
Power Factor	>0.95
Dimming	0-10 V
Dimension	20.4" x 49.2" x 1.5" (Light Size) L 520 * W 1250 * H 40 mm
LED Quantity	0.5W * 1920 pcs
Rated Power	960 W
Draw Power	320 W
PPF	750 $\mu\text{mol}/\text{s}$

Efficacy	2.35 $\mu\text{mol}/\text{J}$
IP Rating	IP54
Beam Angle	120°
Operating Temperature	-4 - 104 °F / (-20 - 40 °C)
Lifetime	Q (L)90: 68, 300 hours
Certificates	DLC, cULus, CE, RoHS, Damp Location Rated
Warranty	5 years
Master carton	Light: 1280 * 150 * 565 mm/2pcs Junction Box: 505 * 190 * 335 mm
Weight	26 lbs (12 kg)
Volume weight	30 KG/2PCS

SPECTRUM



ACCESSORIES



JUNCTION BOX -1PC

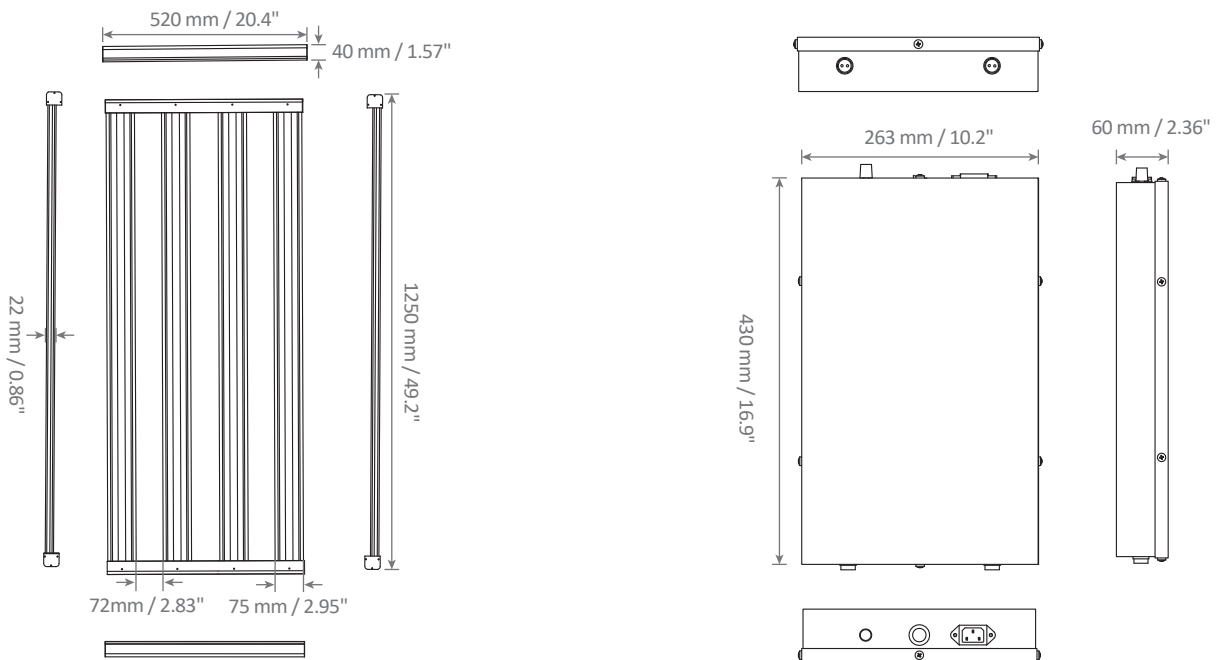


6FT POWER CABLE -1PC



ADJUSTABLE STAINLESS STEEL
HANGING KITS -1SET

DIMENSIONS



PACKING INFORMATION

G.W.of inner carton	Size of inner box	Size of master carton	Quantity of master carton	G.W.of master carton	Storage temperature
12 kgs		Light: 1310 * 590 * 190 mm/2pcs Junction Box: 520* 200* 360 mm	2 pcs	16.8 KG/2PCS	-20°C~40°C