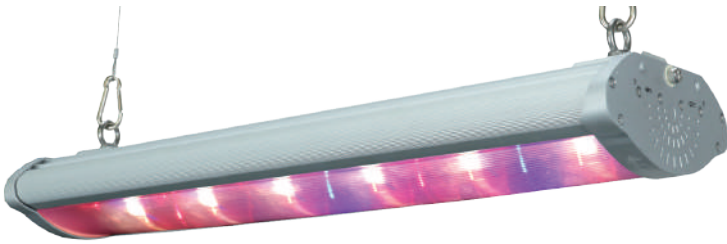


FY-GL-HB I-162W & 182W



[More details about this HBI LED Grow Light](#)



FEATURES

- IP65 waterproof design.
- High efficacy up to 2.3 $\mu\text{mol}/\text{J}$.
- Fanless design, no noise.
- 100-277 V wide input voltage.
- 2 channels Dimmable control separately.
- Suspension, surface and Flush Mounting Options.
- Full spectrum 12 bands for VEG to bloom, full growing stages.
- Unmatched Hanging Versatility.
- 5 years warranty.
- Available in 600mm-2ft,1200mm-4ft,1500mm-5ft

CERTIFICATES

DLC / UL / CUL / CE / RoHS

WARRANTY

Default is 3 years. 5 years warranty is optional

APPLICATIONS

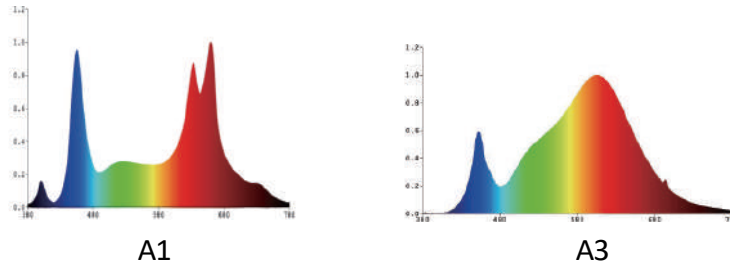
- Home hobbyist
- Agricultural universities
- Educational programs in local school districts
- Plant physiological research
- Biotechnology
- Pharmacology
- Greenhouses
- Plant factories

SPECIFICATION

Model	FY-GL-HB I-162W & 182W
Spectrum	Full Spectrum
Input Voltage	AC 100-277 V, 50 / 60 HZ
Power Factor	>0.95
Dimming	0-10 V
Dimension	23.6" x 5.9" x 2.7" L 600 * W 150 * H 70 mm
LED Quantity	364*0.5=182w COB15wX6pcs+3wX24pcs=162w
Rated Power	162W / 182 W
Draw Power	120 W
PPF	276 $\mu\text{mol}/\text{s}$

Efficacy	2.3 $\mu\text{mol}/\text{J}$
IP Rating	IP65
Beam Angle	120°
Operating Temperature	-4 - 104 °F / (-20 - 40 °C)
Lifetime	Q (L)90: 68, 300 hours
Certificates	DLC, cULus, CE, RoHS, Damp Location Rated
Warranty	5 years
Master carton (1PC / CTN)	655 * 195 * 165 mm
Gross Weight	4.1 KG / PC
Volume weight	4.2 KG / PC

SPECTRUM



ACCESSORIES



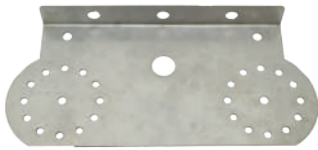
ADJUSTABLE STAINLESS STEEL
HANGING KITS -1SET



OPTIONAL HANGING KITS



ROTATABLE SURFACE
MOUNTING BRACKETS

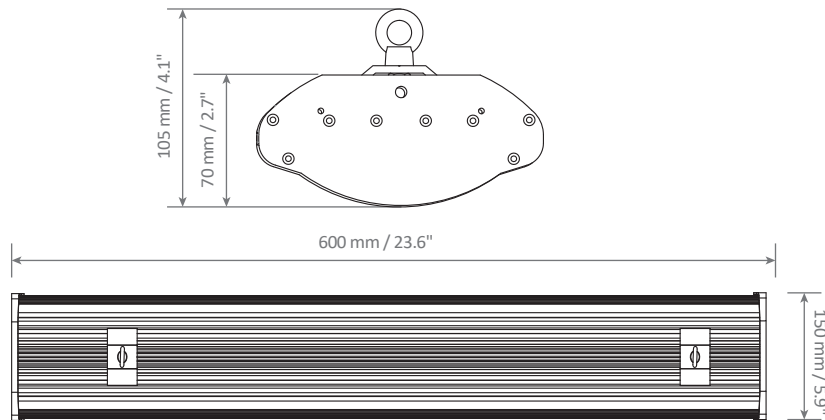


OPTIONAL MOUNTING BRACKETS
(DOUBLE LIGHTS IN A LINE)



OPTIONAL MOUNTING BRACKETS
(THREE LIGHTS IN A LINE)

DIMENSIONS



PACKING INFORMATION

G.W.of inner carton	Size of inner box	Size of master carton	Quantity of master carton	G.W.of master carton	Storage temperature
BLANK	BLANK	655 * 195 * 165 mm	1 pc	4.1 KG	-40°C~80°C