

# FY Lighting

## LED High Bay

### *Installation Instructions*



## LED HIGH BAY INSTALLATION GUIDE - WARNING

Please read instructions carefully before attempting to install high bay light. Retain instruction for future reference.

- Disconnect power before installing or servicing. This led high bay must be installed in accordance with the applicable installation code by a person familiar with the construction and operation of the product and the hazards involved.
- Make sure there is enough support for the position to install the LED high bay light.
- Do not attempt to open the LED high bay light for any reason.
- If the external soft cable or soft wire of the LED high bay light was damaged, please replace it with the cable or wire specially provided by the manufacturer or its agent.
- This product must be earthed!
- Metal surface is hot when working, please don't touch it before the luminaire cools down adequately!

## Installation Instructions

This led high bay has 2 installation methods. Suspended and Pendant Mount.

### 1. Suspended

Step 1: Fix the steel rope on the wall with expansion screws

Step 2: Hang the light with hook

Step 3: Connect with power wire

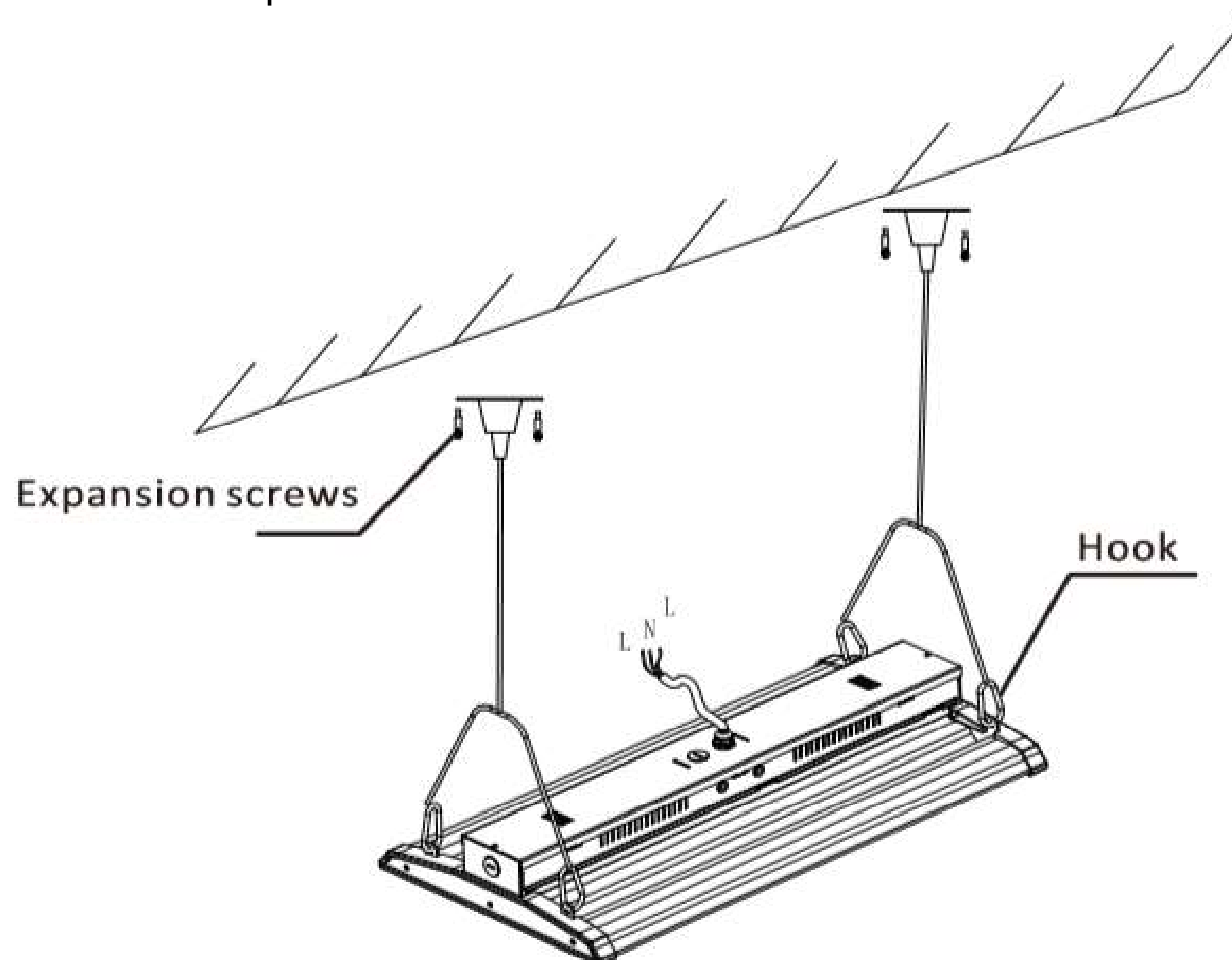


Figure 1

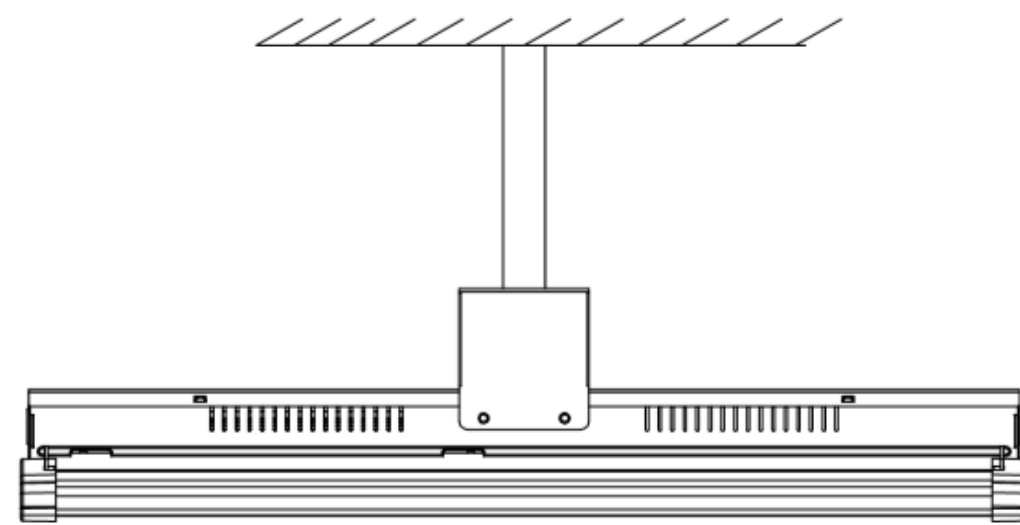
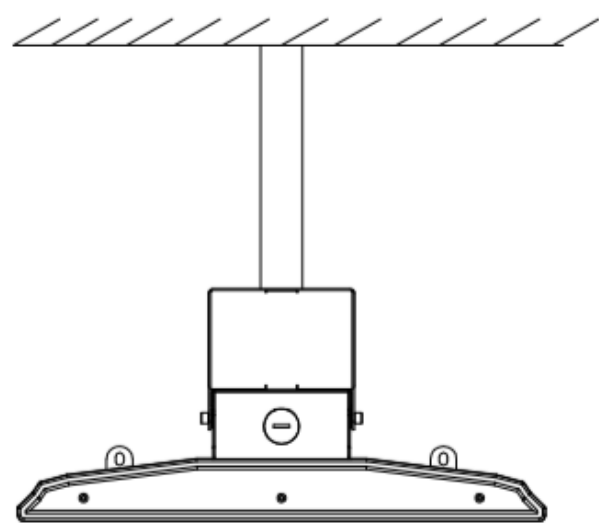
## 2. Pendant Mount

Step 1: Fix the junction box on the driver box with 4pcs screws (Figure 2)

Step 2: Put power wire through the connecting pole (Figure 3)

Step 3: Lock the junction box by nut and connect AC power wire (Figure 4)

Step 4: Fix two side plate by screws (Figure 5)



(Pendant Mount)

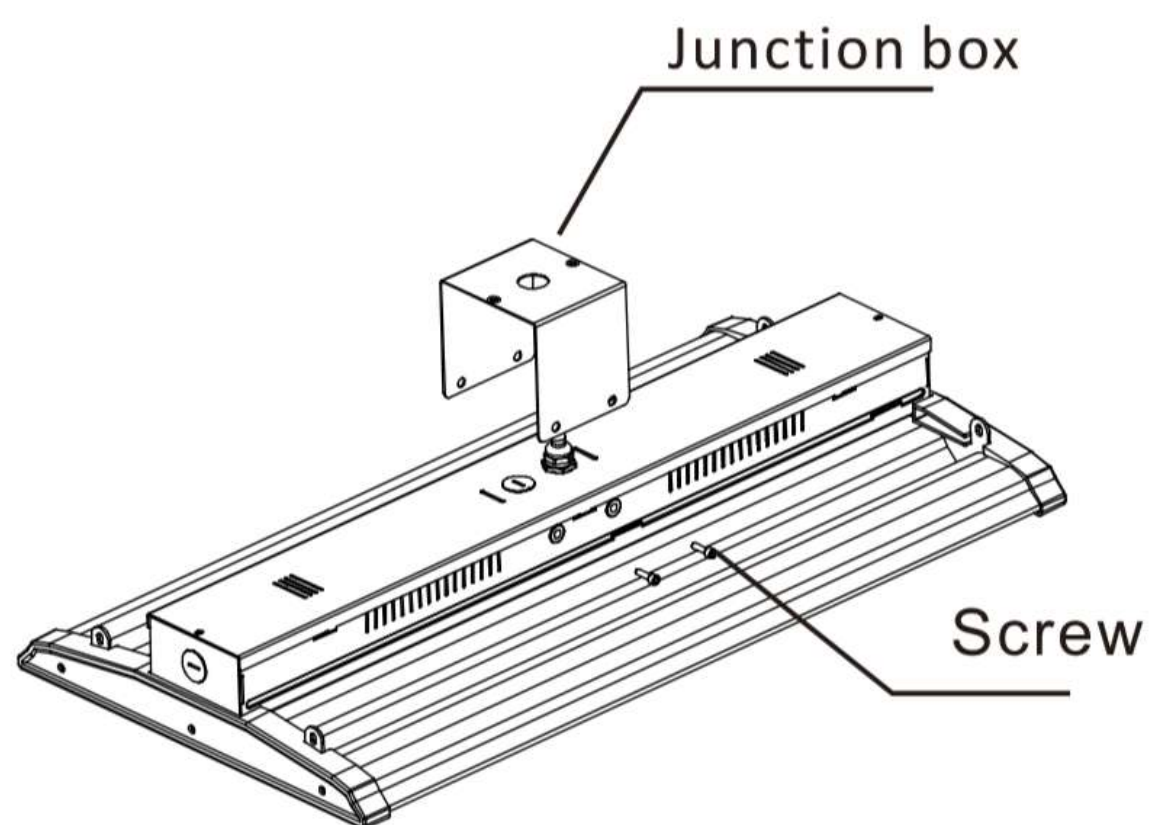


Figure 2

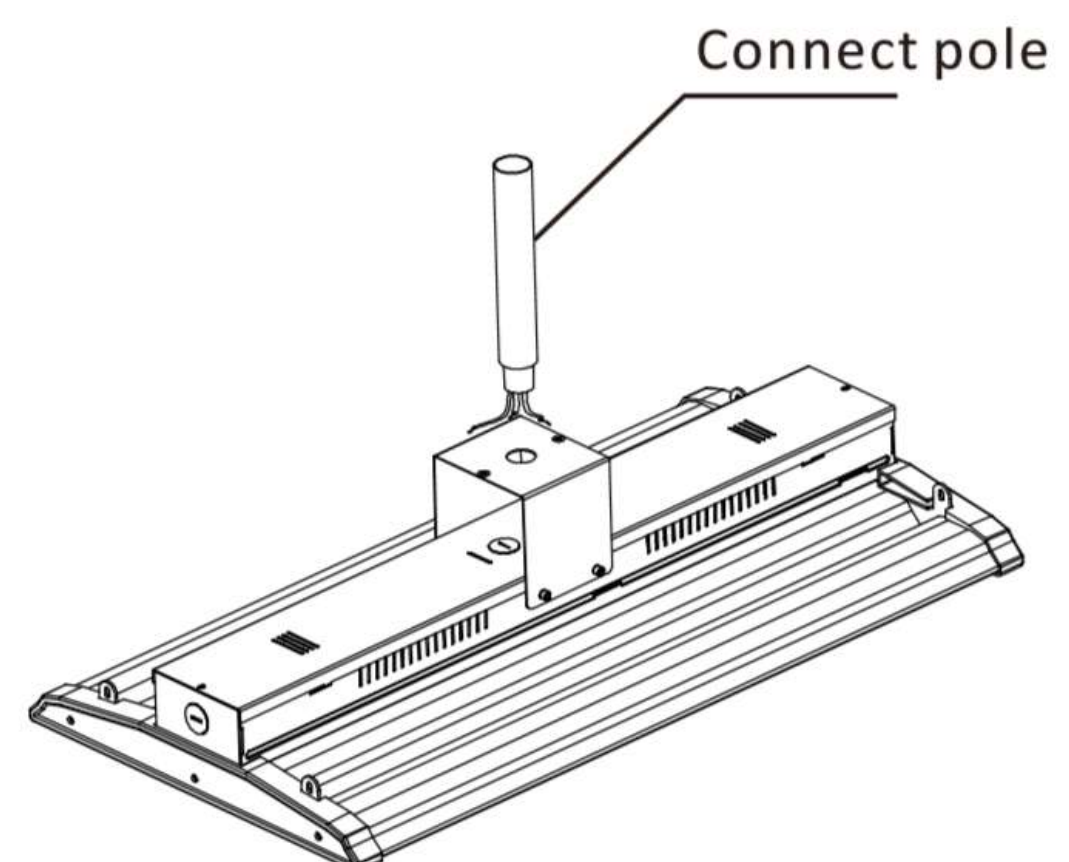


Figure 3

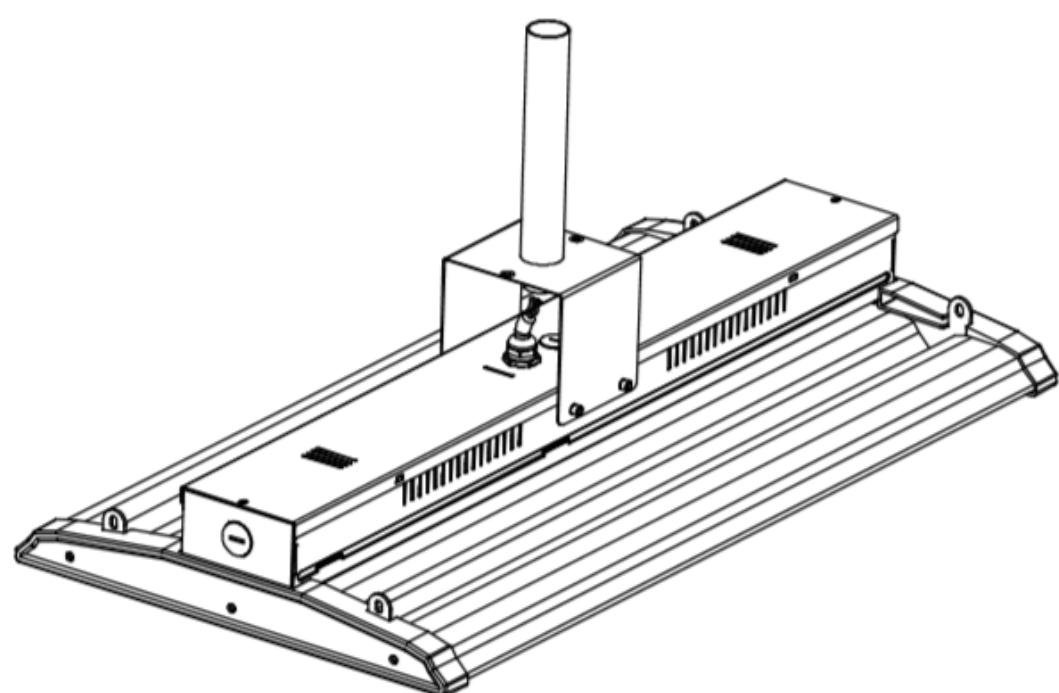


Figure 4

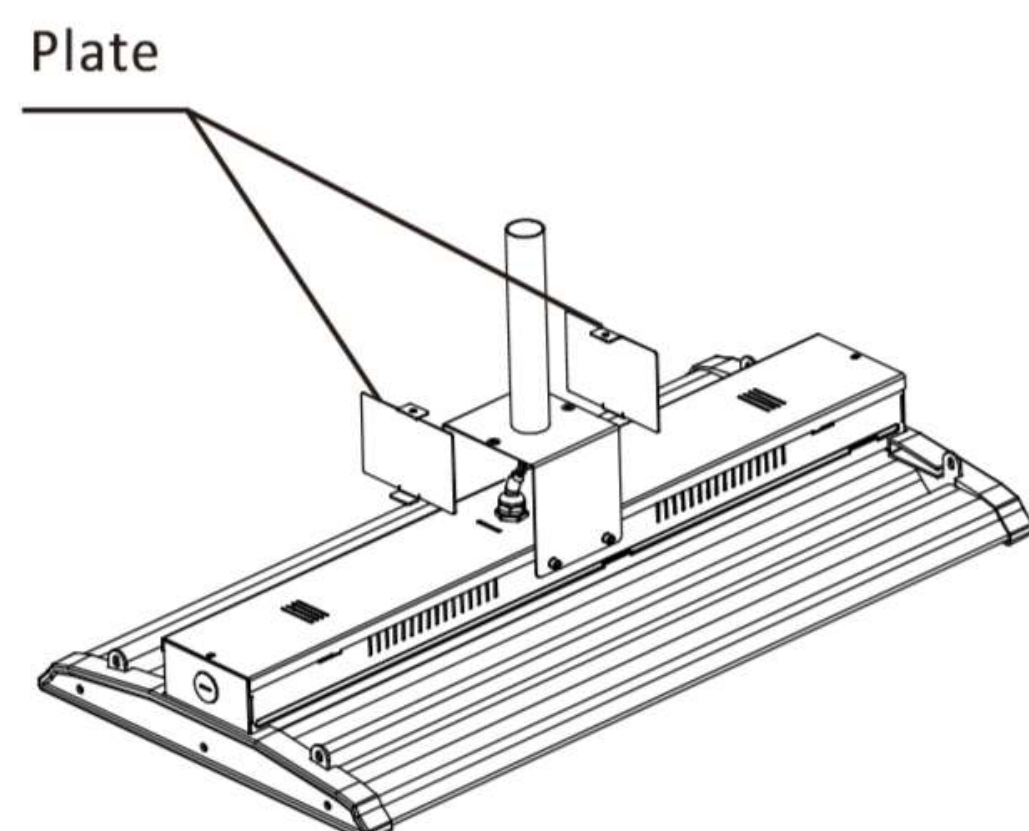


Figure 5



*Thank you for choosing*

**FY Lighting**

*No.44, Shiyuan Street,  
Bao'an District, Shenzhen, China*

***[www.fyledlight.com](http://www.fyledlight.com)***

***[sales@fyledlight.com](mailto:sales@fyledlight.com)***